

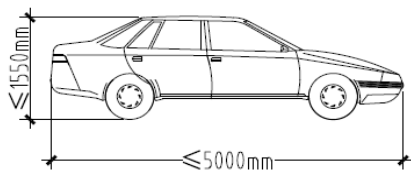
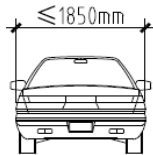
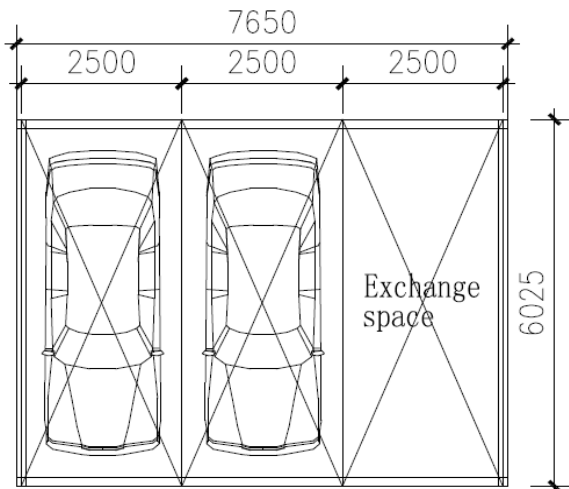
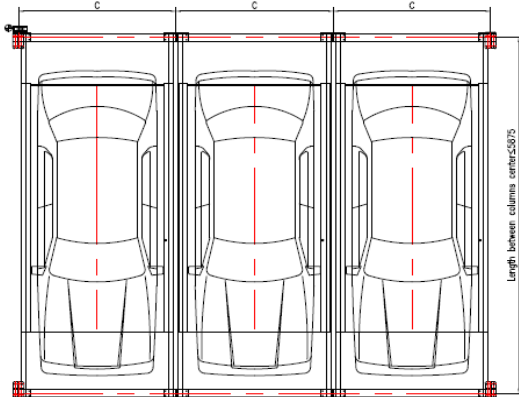
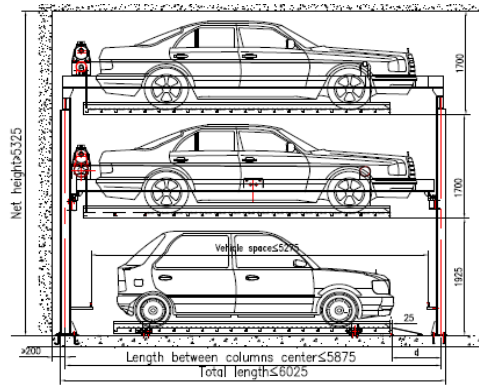
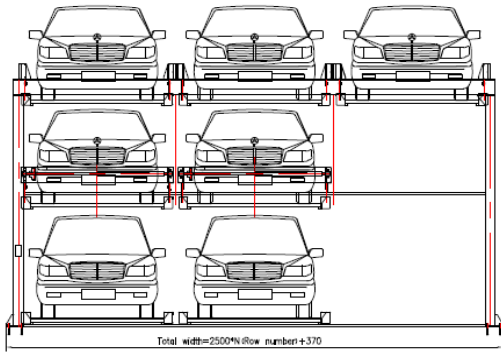
Type		D type
Data of car	Length	≤5000mm
	Width	≤1850mm
	Height of 1st floor	≤1700mm
	Height of 2nd floor	≤1550mm
	Weight	≤1800Kg
Lifting speed		4~6m/min
Moving speed		7~8m/min
Driven manner		motor+steel cable
Power of lifting motor		2.2KW
Power of moving motor		0.2KW
Power capacity		3KW
Power		AC380V/50Hz/3PH
Operation manner		Button/IC card(Optional)
Max noise		≤62db(A)
Parking quantity		2*N(Row number)-1
Max picking time		45S

VERTICAL PARKING SYSTEMS (CANADA)



VERTICAL
PARKING
SYSTEMS

2 LEVEL PUZZLE PARKING



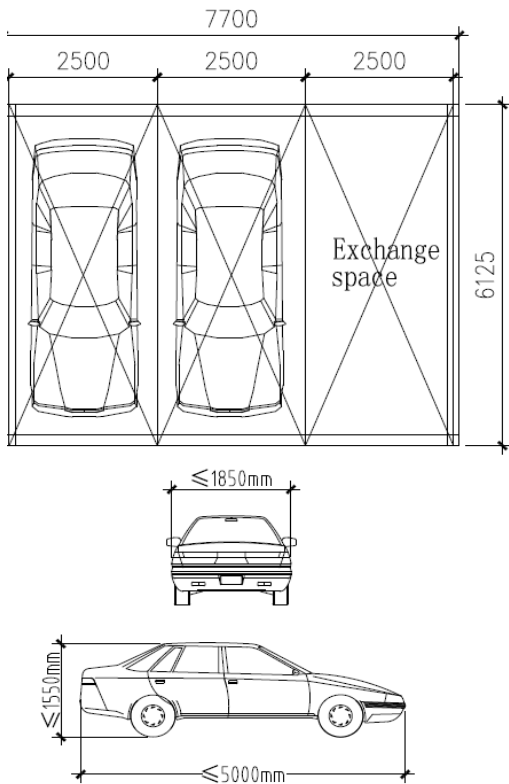
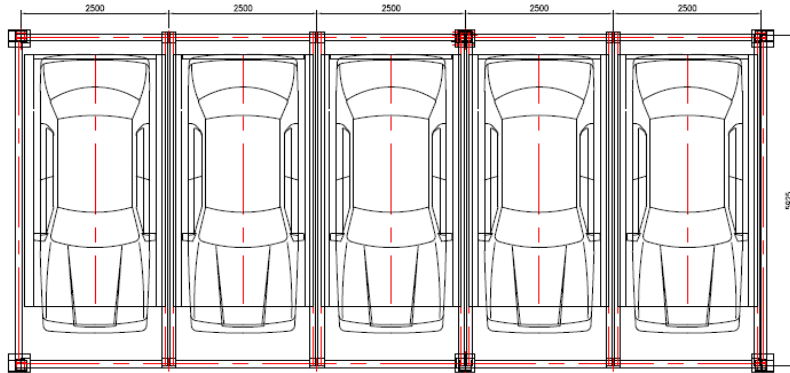
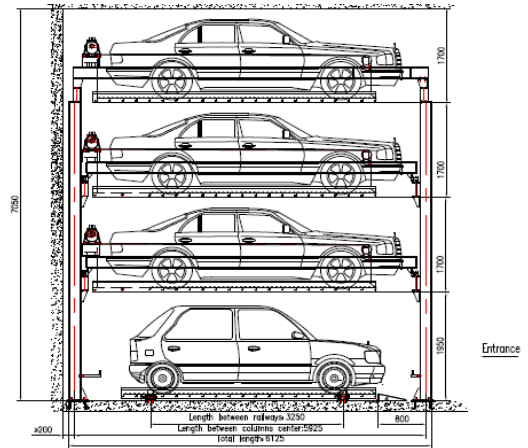
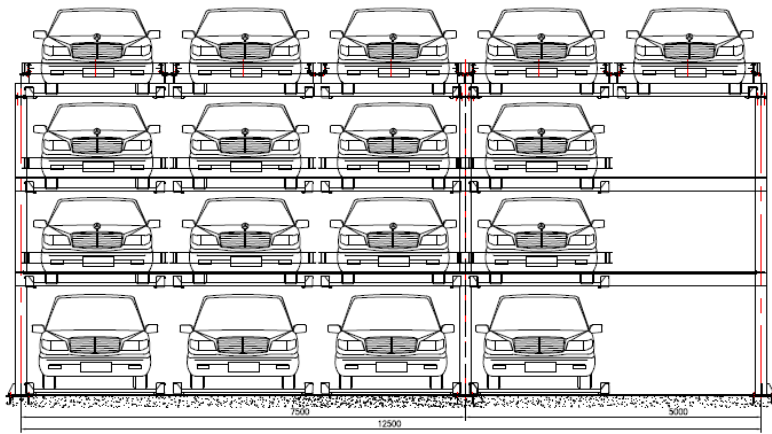
Type		D type
Data of car	Length	≤5000mm
	Width	≤1850mm
	Height of 1st floor	≤1700mm
	Height of 2~4 floors	≤1550mm
	Weight	≤1800Kg
Lifting speed	4~6m/min	
Moving speed	7~8m/min	
Driven manner	motor+steel cable	
Power of lifting motor	2.2KW	
Power of moving motor	0.2KW	
Power capacity	3KW	
Power	AC380V/50Hz/3PH	
Operation manner	Button/IC card(Optional)	
Max noise	≤62db(A)	
Parking quantity	3*N(Row number)-2	
Max picking time	62S	

VERTICAL PARKING SYSTEMS (CANADA)



VERTICAL
PARKING
SYSTEMS

3 LEVEL PUZZLE PARKING



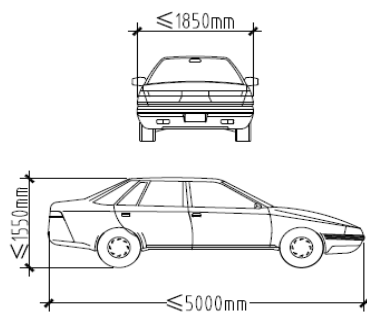
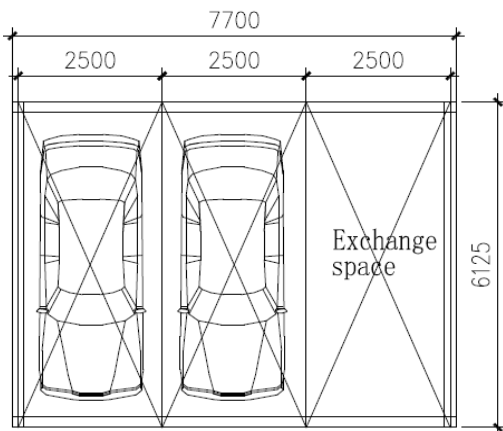
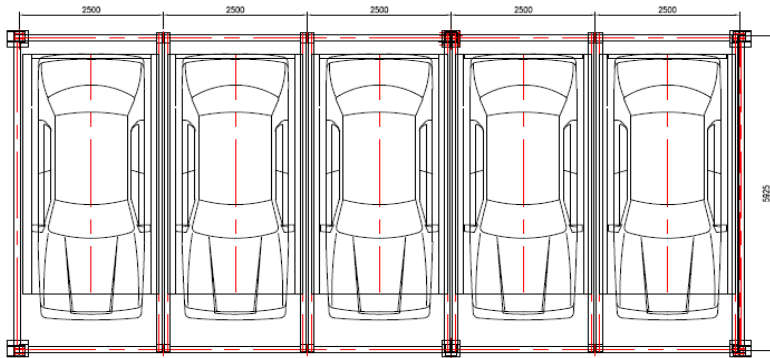
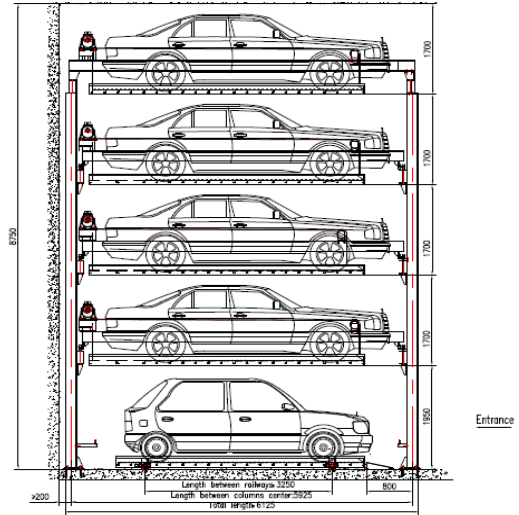
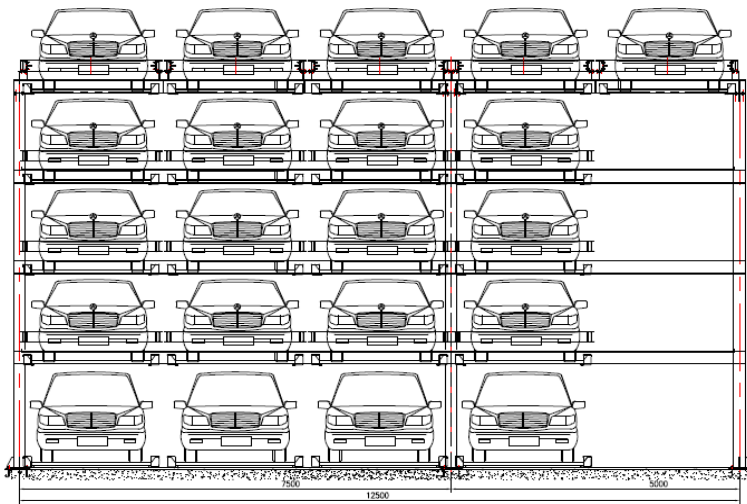
Type		D type
Data of car	Length	≤5000mm
	Width	≤1850mm
	Height of 1st floor	≤1700mm
	Height of 2~4 floors	≤1550mm
	Weight	≤1800Kg
Lifting speed	4~6m/min	
Moving speed	7~8m/min	
Driven manner	motor+steel cable	
Power of lifting motor	2.2KW	
Power of moving motor	0.2KW	
Power capacity	5KW	
Power	AC380V/50Hz/3PH	
Operation manner	Button/IC card(Optional)	
Max noise	≤62db(A)	
Parking quantity	4*(Row number)-3	
Max picking time	70S	

VERTICAL PARKING SYSTEMS (CANADA)



**VERTICAL
PARKING
SYSTEMS**

4 LEVEL PUZZLE PARKING



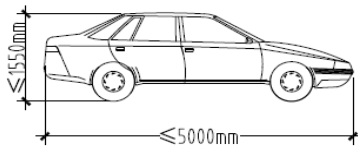
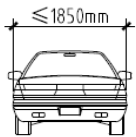
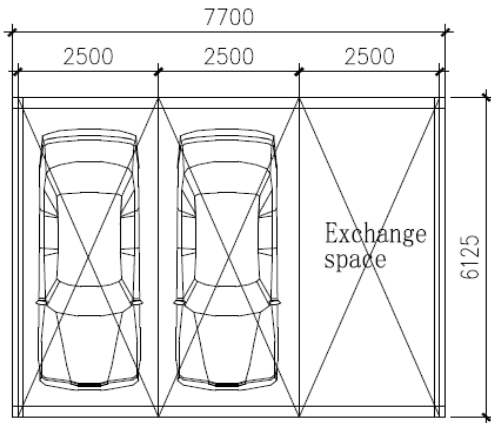
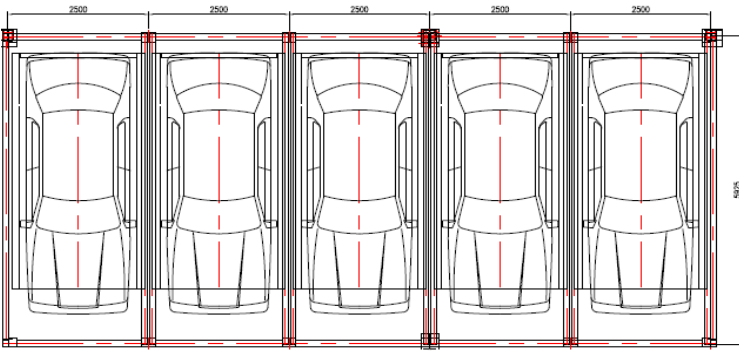
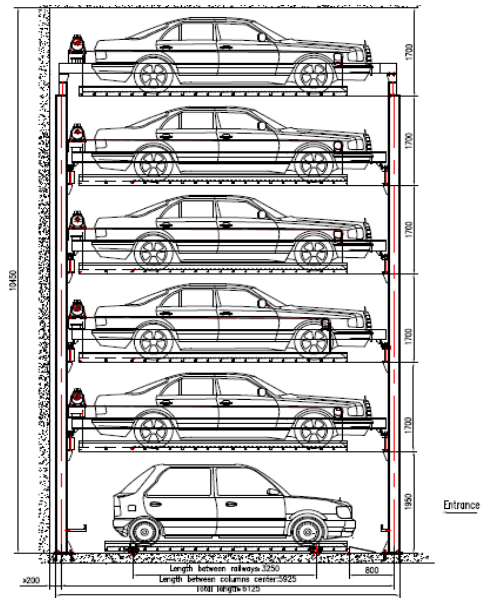
Type		D type
Data of car	Length	≤5000mm
	Width	≤1850mm
	Height of 1st floor	≤1700mm
	Height of 2~5 floors	≤1550mm
	Weight	≤1800Kg
Lifting speed		4~6m/min
Moving speed		7~8m/min
Driven manner		motor+steel cable
Power of lifting motor		2~4 layers:2.2KW 5th layer:3.7KW
Power of moving motor		0.2KW
Power capacity		5KW
Power		AC380V/50Hz/3PH
Operation manner		Button/IC card(Optional)
Max noise		≤62db(A)
Parking quantity		5*N(Row number)-4
Max picking time		82S

VERTICAL PARKING SYSTEMS (CANADA)



**VERTICAL
PARKING
SYSTEMS**

5 LEVEL PUZZLE PARKING



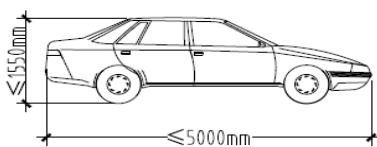
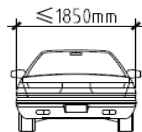
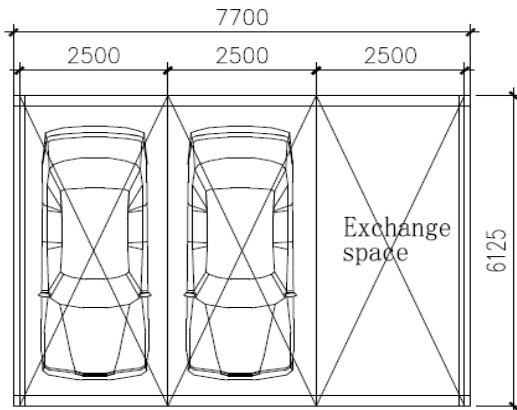
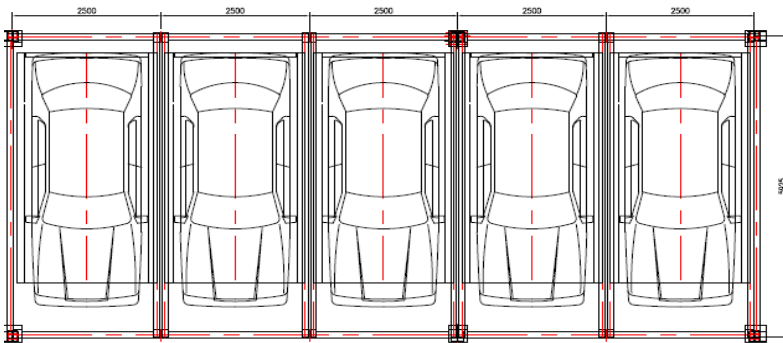
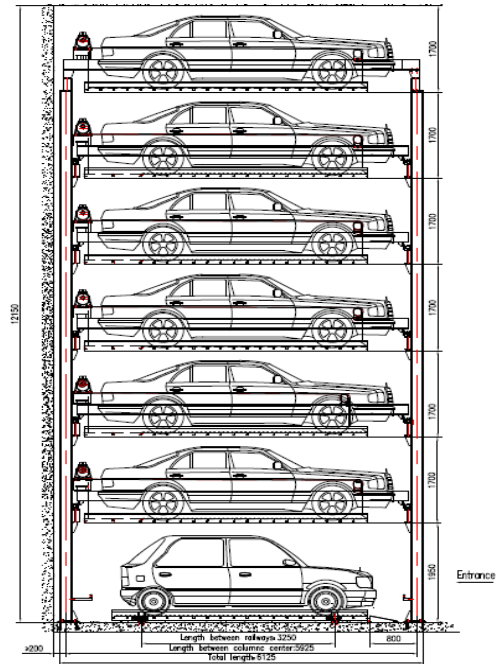
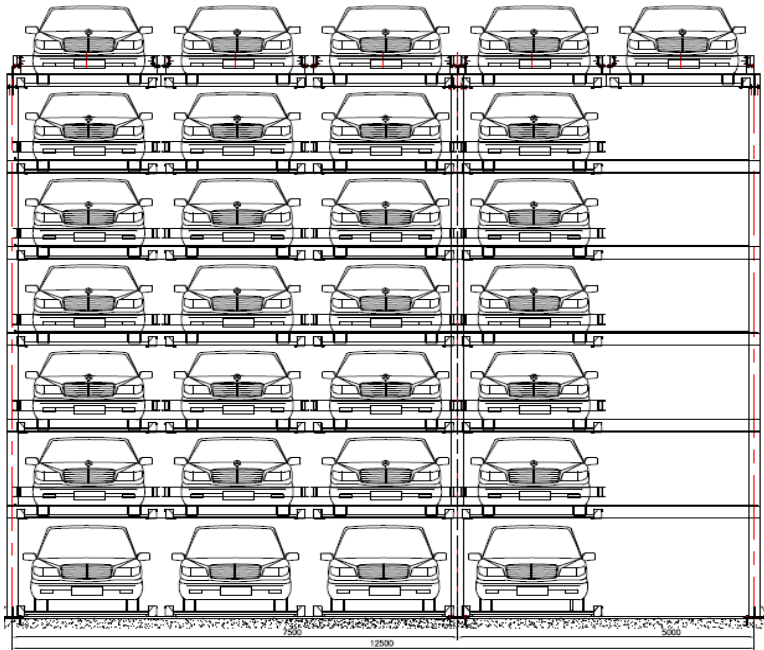
Type		D type
Data of car	Length	$\le 5000\text{mm}$
	Width	$\le 1850\text{mm}$
	Height of 1st floor	$\le 1700\text{mm}$
	Height of 2~6 floors	$\le 1550\text{mm}$
	Weight	$\le 1800\text{Kg}$
Lifting speed	4~6m/min	
Moving speed	7~8m/min	
Driven manner	motor+steel cable	
Power of lifting motor	2~4 layers:2.2KW 5~6layers:3.7KW	
Power of moving motor	0.2KW	
Power capacity	5KW	
Power	AC380V/50Hz/3PH	
Operation manner	Button/IC card(Optional)	
Max noise	$\le 62\text{db(A)}$	
Parking quantity	$6 \times N(\text{Row number}) - 5$	
Max picking time	97S	

VERTICAL PARKING SYSTEMS (CANADA)



**VERTICAL
PARKING
SYSTEMS**

6 LEVEL PUZZLE PARKING



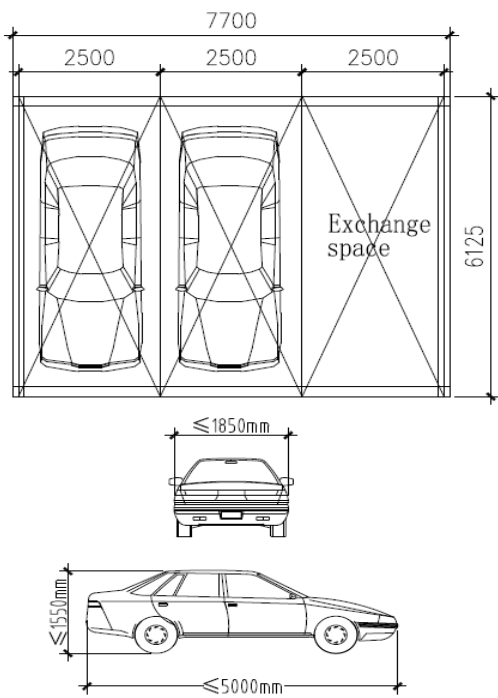
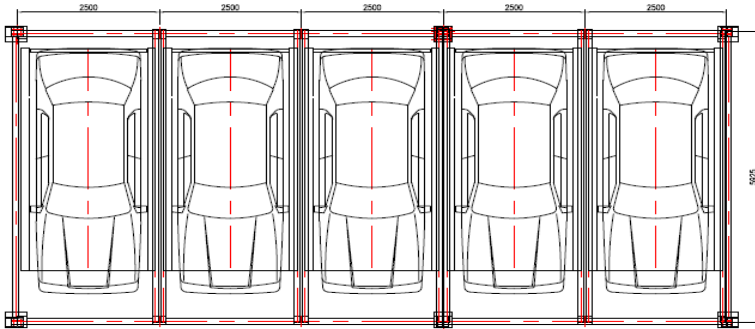
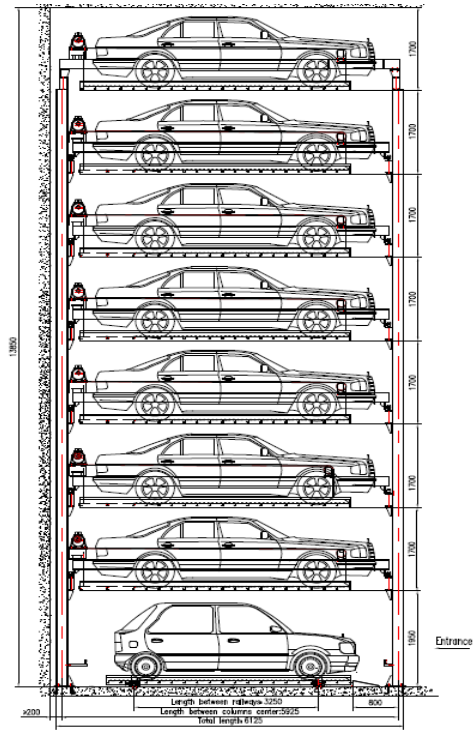
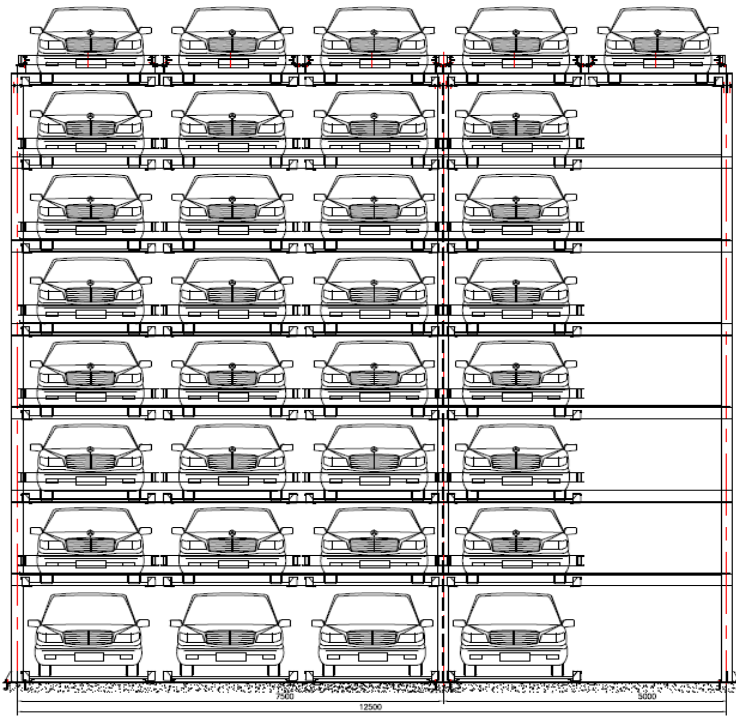
Type		D type
Data of car	Length	$\leq 5000\text{mm}$
	Width	$\leq 1850\text{mm}$
	Height of 1st floor	$\leq 1700\text{mm}$
	Height of 2~7 floors	$\leq 1550\text{mm}$
	Weight	$\leq 1800\text{Kg}$
Lifting speed	4~6m/min	
Moving speed	7~8m/min	
Driven manner	motor+steel cable	
Power of lifting motor	2~4 layers:2.2KW 5~7layers:3.7KW	
Power of moving motor	0.2KW	
Power capacity	5KW	
Power	AC380V/50Hz/3PH	
Operation manner	Button/IC card(Optional)	
Max noise	$\leq 62\text{db(A)}$	
Parking quantity	7*N(Row number)-6	
Max picking time	118S	

VERTICAL PARKING SYSTEMS (CANADA)



**VERTICAL
PARKING
SYSTEMS**

7 LEVEL PUZZLE PARKING



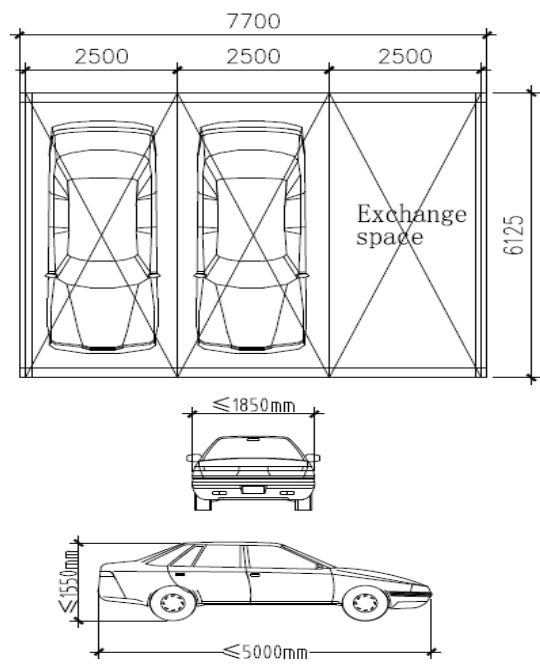
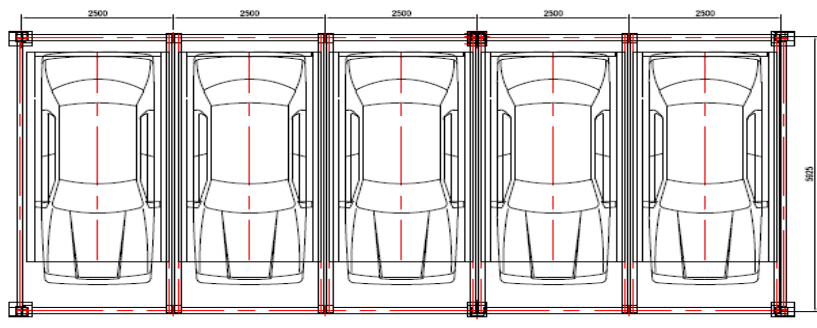
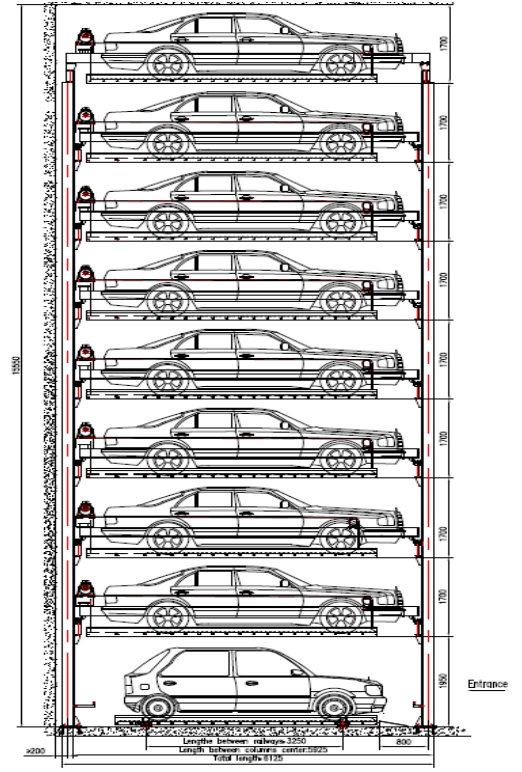
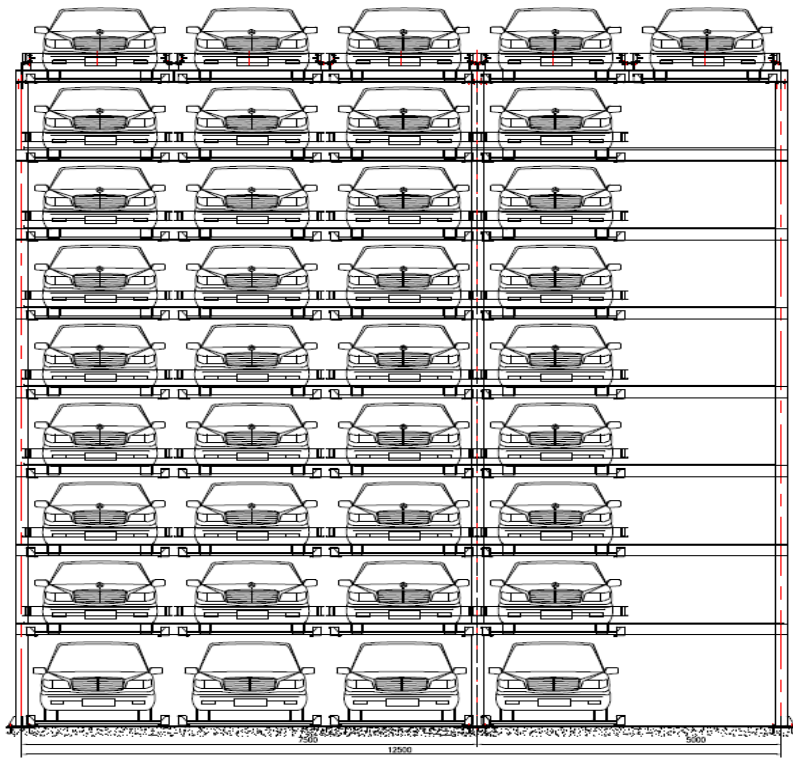
Type		D type
Data of car	Length	≤5000mm
	Width	≤1850mm
	Height of 1st floor	≤1700mm
	Height of 2~8 floors	≤1550mm
	Weight	≤1800Kg
Lifting speed	4~6m/min	
Moving speed	7~8m/min	
Driven manner	motor+steel cable	
Power of lifting motor	2~4 layers:2.2KW 5~8layers:3.7KW	
Power of moving motor	0.2KW	
Power capacity	5KW	
Power	AC380V/50Hz/3PH	
Operation manner	Button/IC card(Optional)	
Max noise	≤62db(A)	
Parking quantity	8*N(Row number)-7	
Max picking time	139S	

VERTICAL PARKING SYSTEMS (CANADA)



**VERTICAL
PARKING
SYSTEMS**

8 LEVEL PUZZLE PARKING



Technical Data

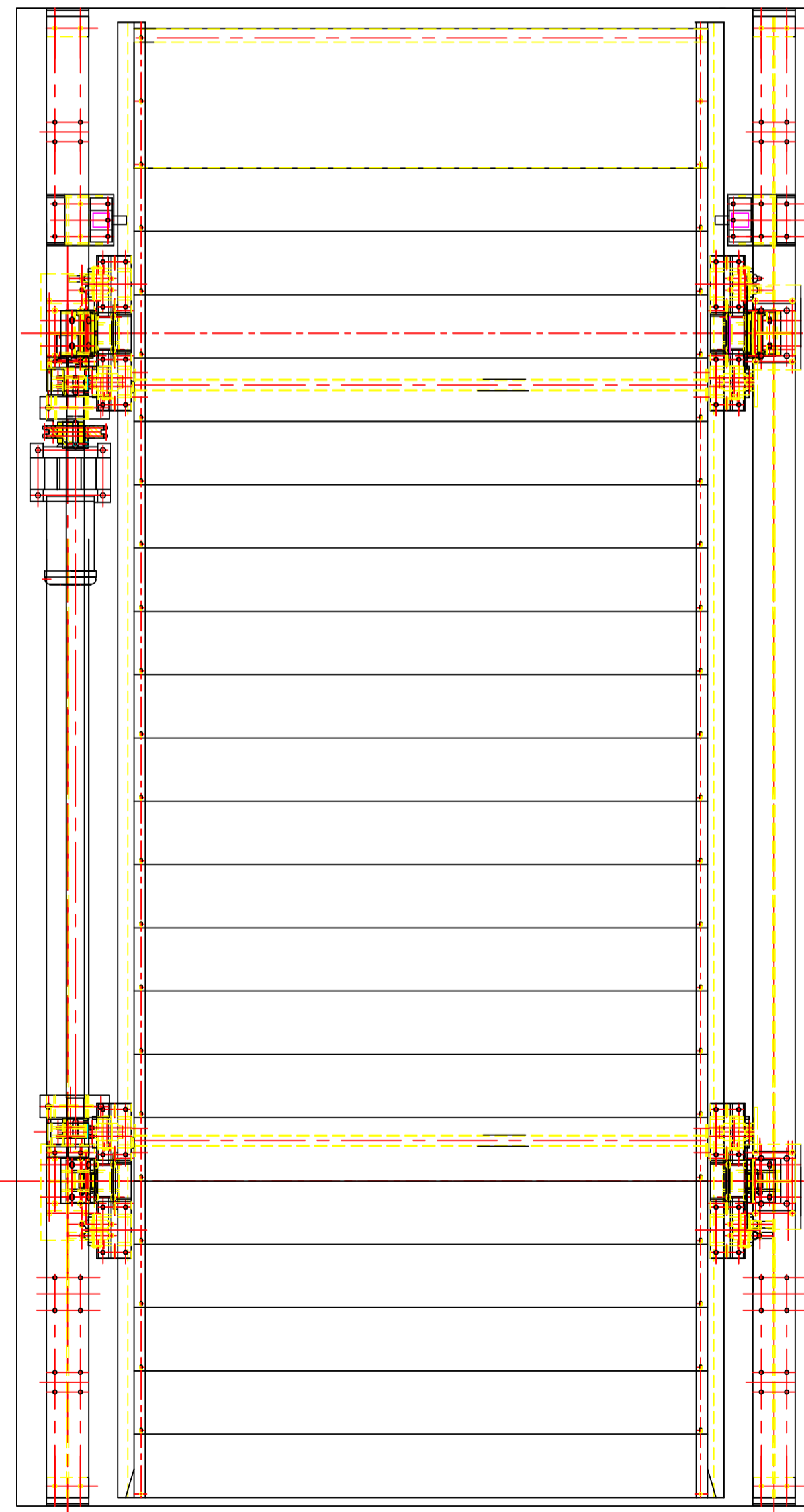
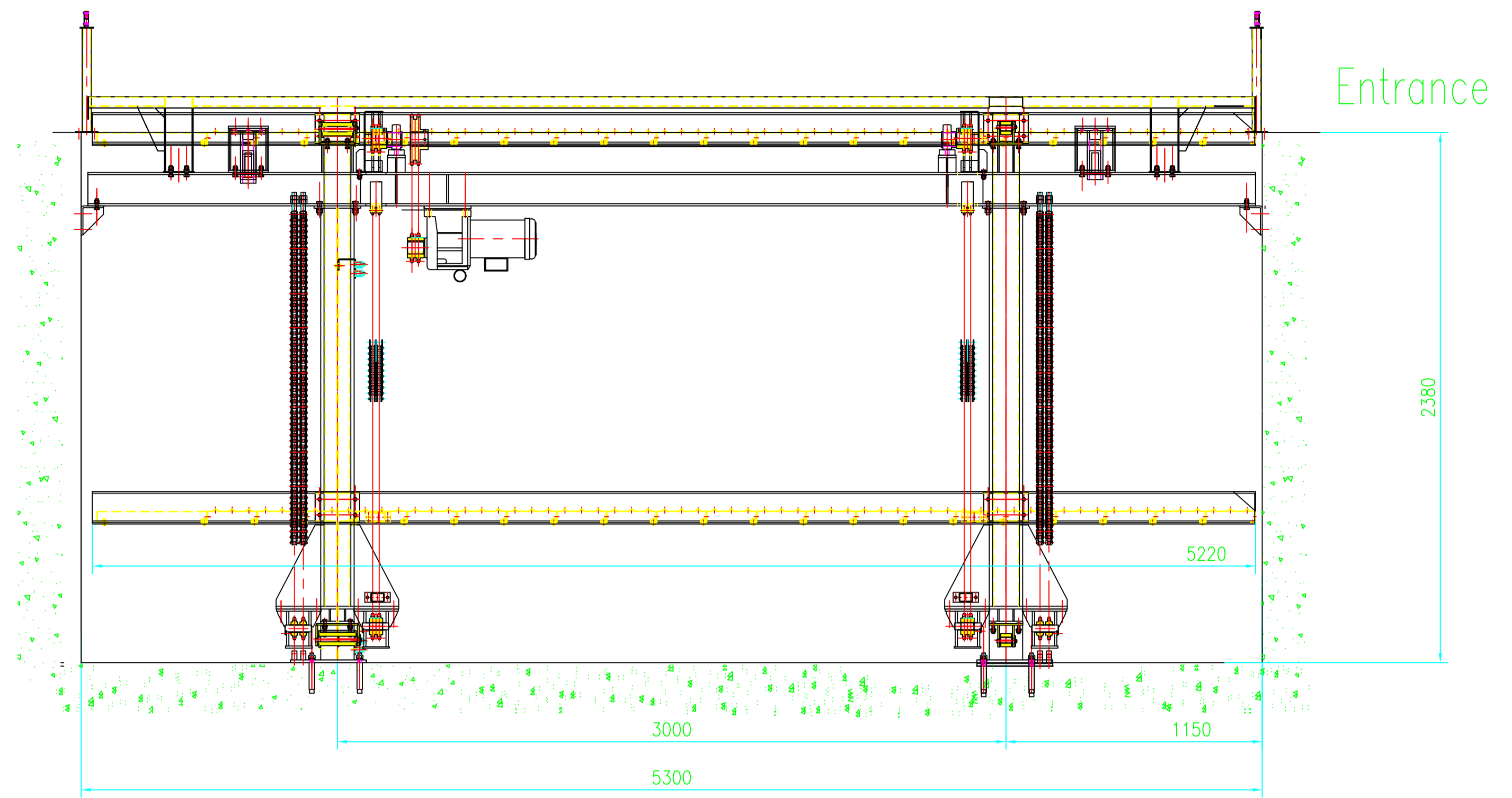
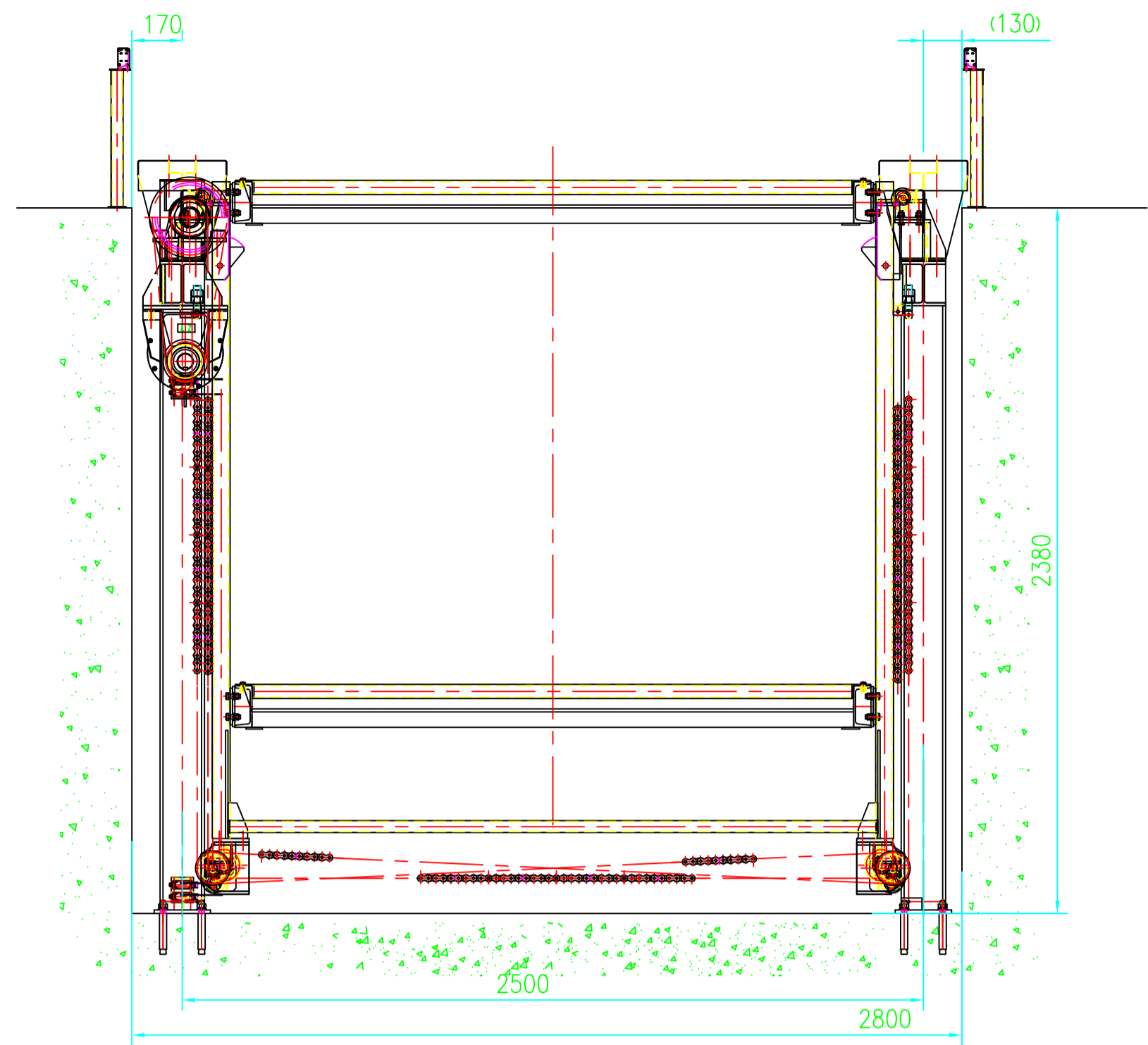
Type		D type
Data of car	Length	≤5000mm
	Width	≤1850mm
	Height of 1st floor	≤1700mm
	Height of 2~9 floors	≤1550mm
	Weight	≤1800Kg
Lifting speed	4~6m/min	
Moving speed	7~8m/min	
Driven manner	motor+steel cable	
Power of lifting motor	2~4 layers:2.2KW 5~9layers:3.7KW	
Power of moving motor	0.2KW	
Power capacity	5KW	
Power	AC380V/50Hz/3PH	
Operation manner	Button/IC card(Optional)	
Max noise	≤62db(A)	
Parking quantity	9*N(Rows)-8	
Max picking time	160S	

VERTICAL PARKING SYSTEMS (CANADA)

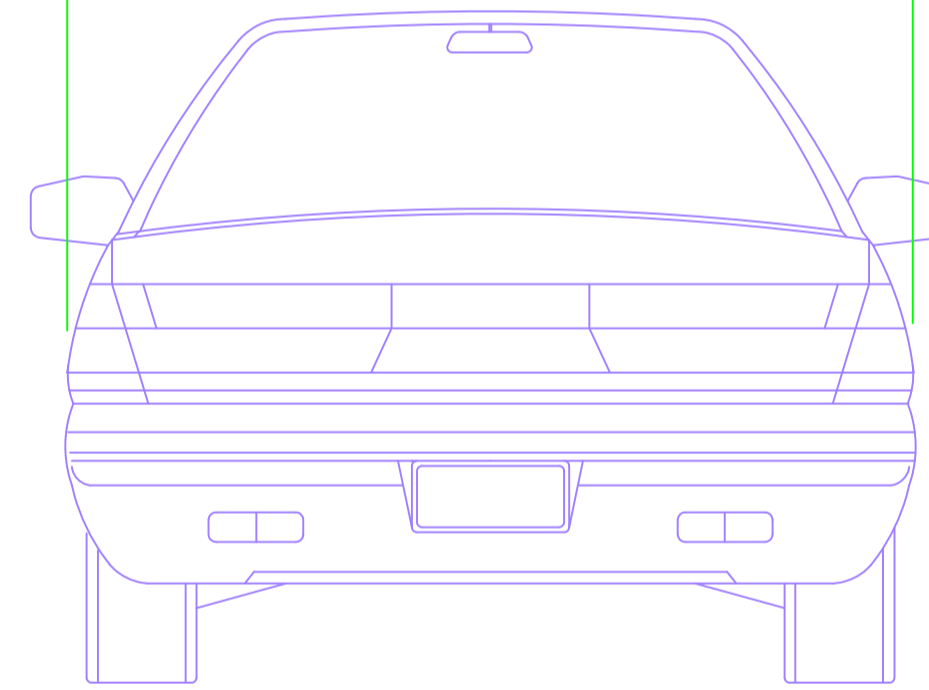


VERTICAL
PARKING
SYSTEMS

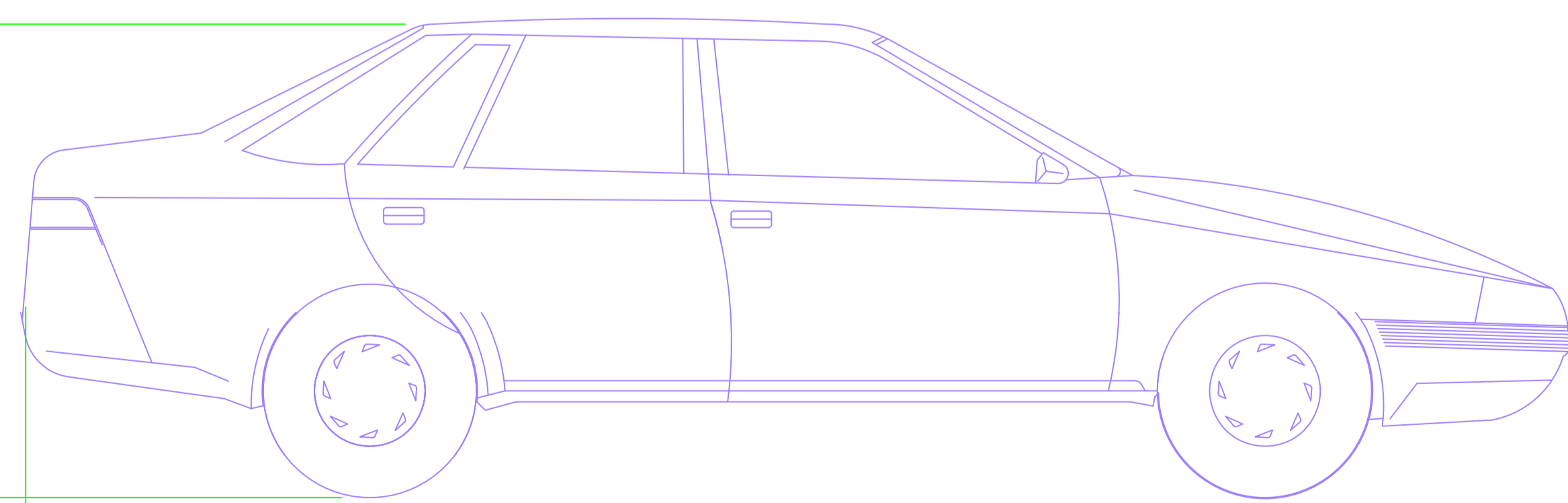
9 LEVEL PUZZLE PARKING



≥ 1850mm



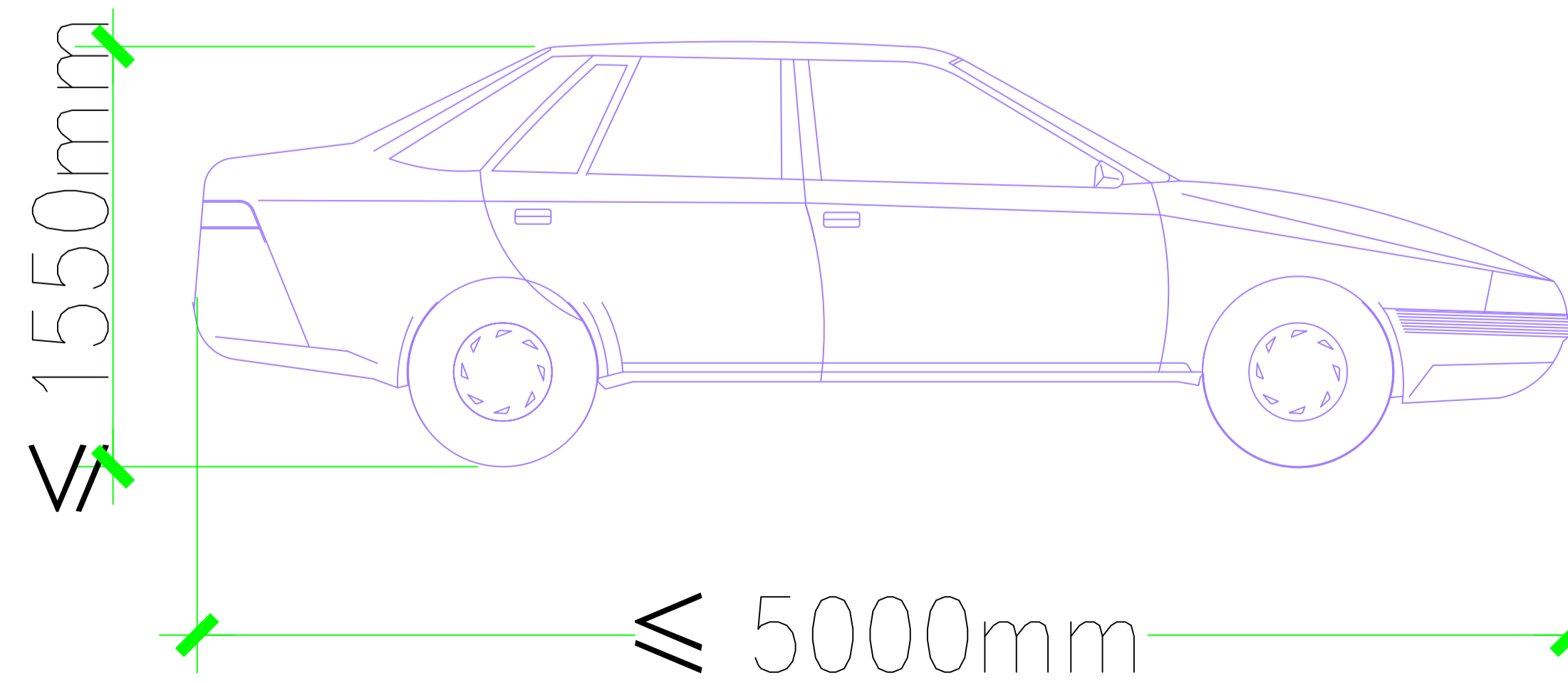
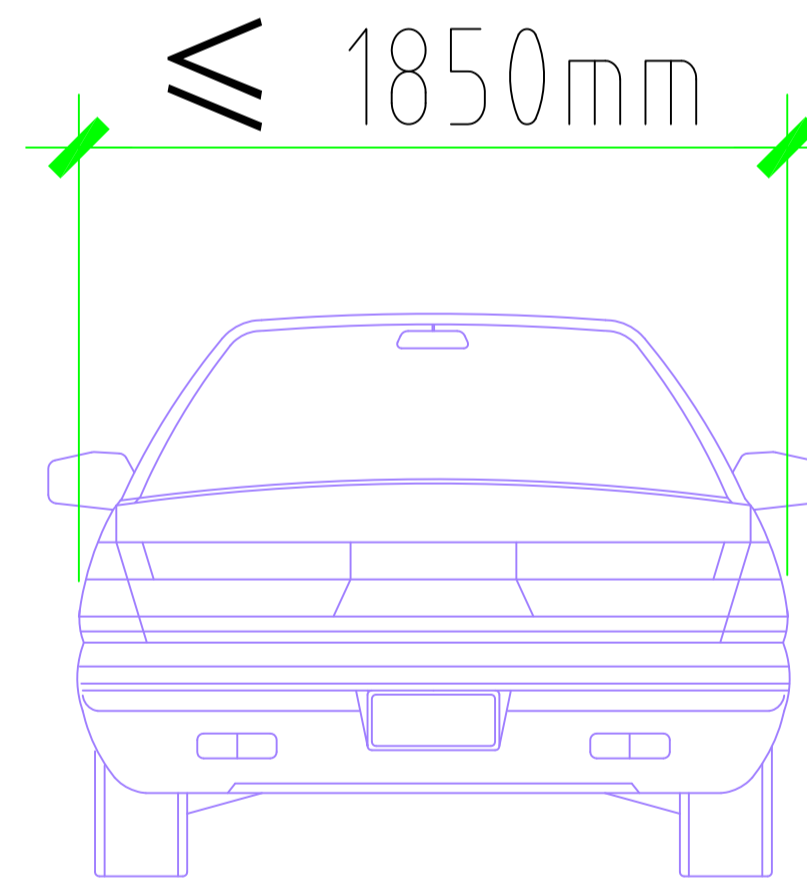
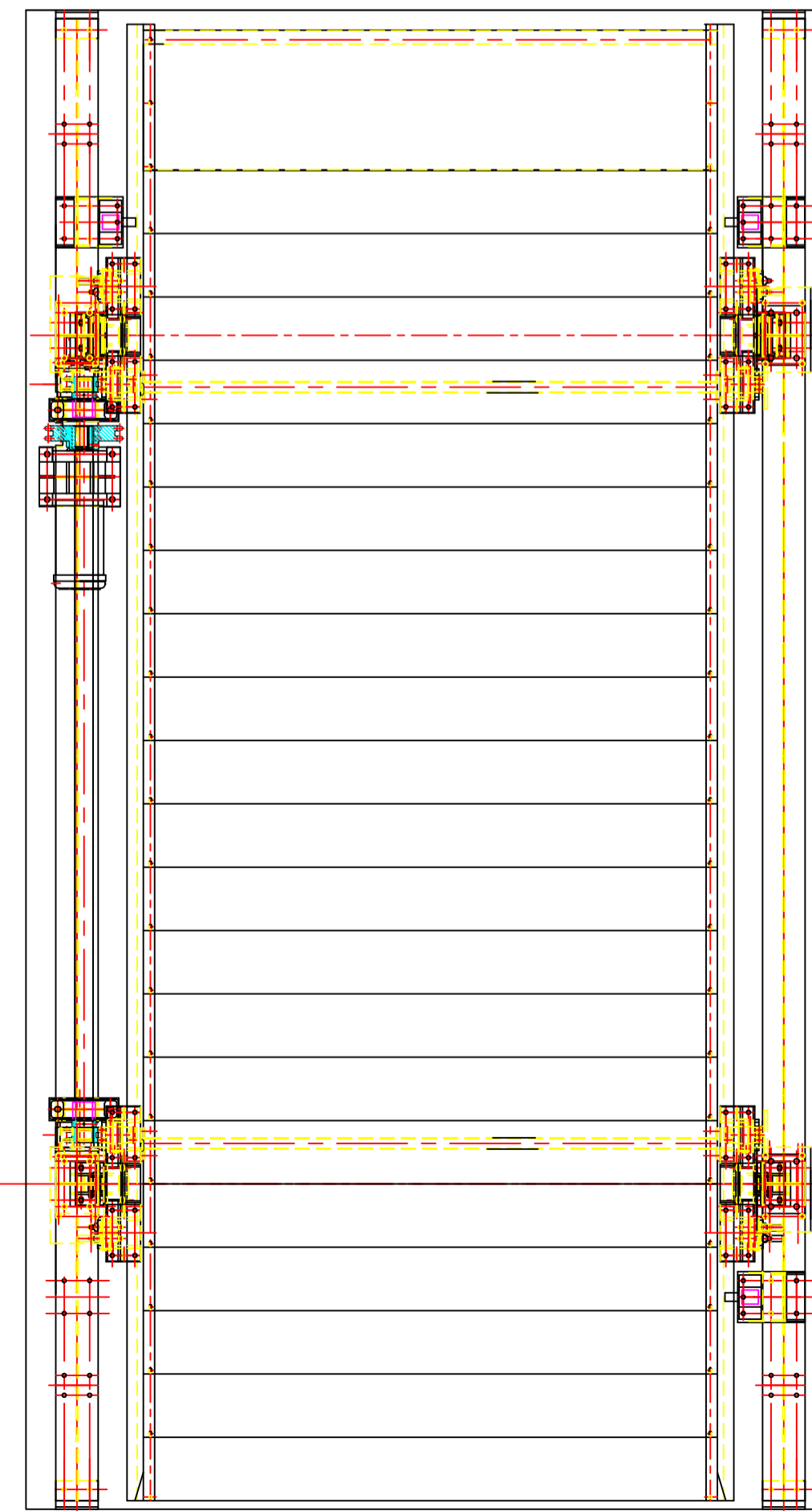
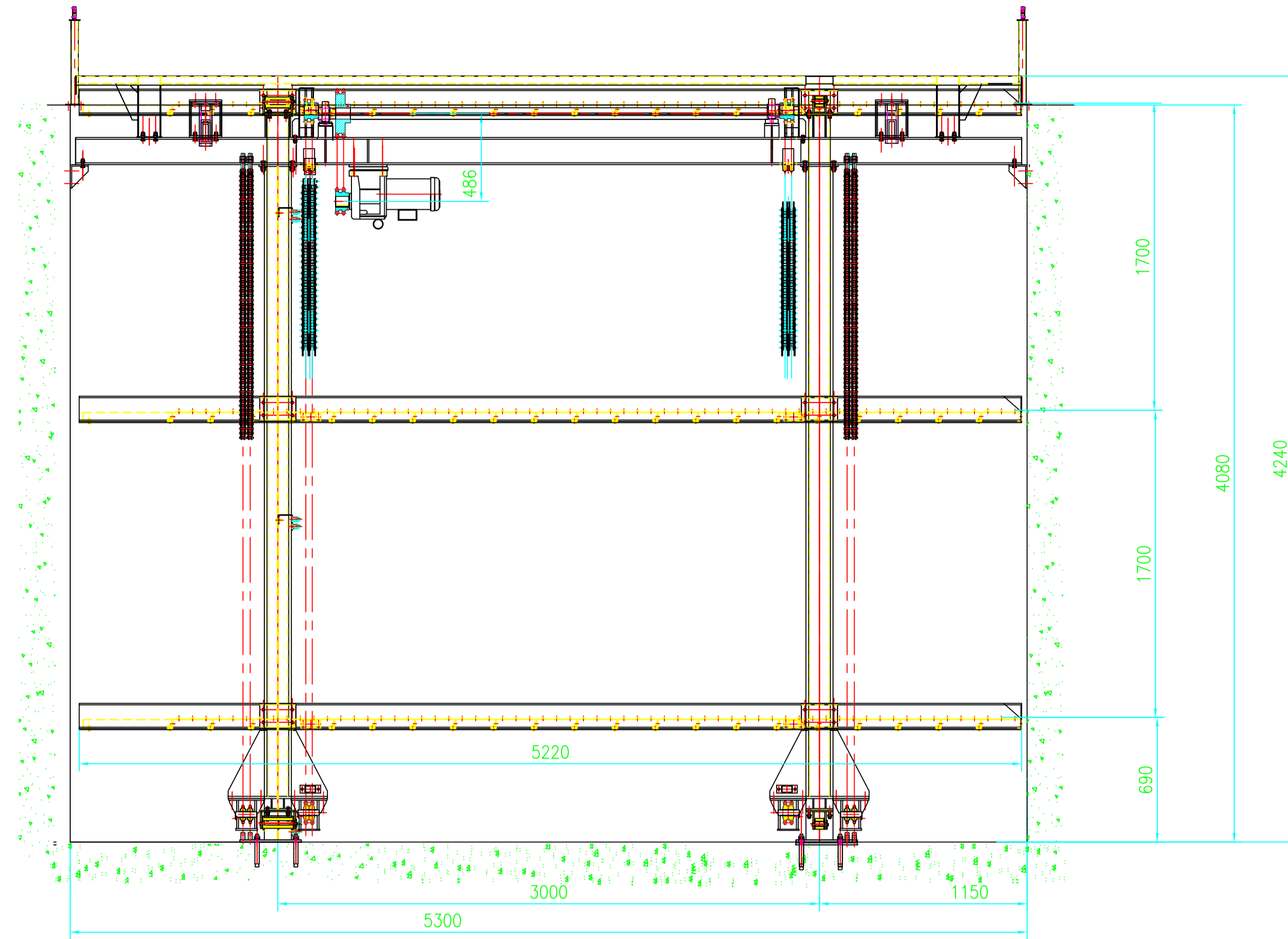
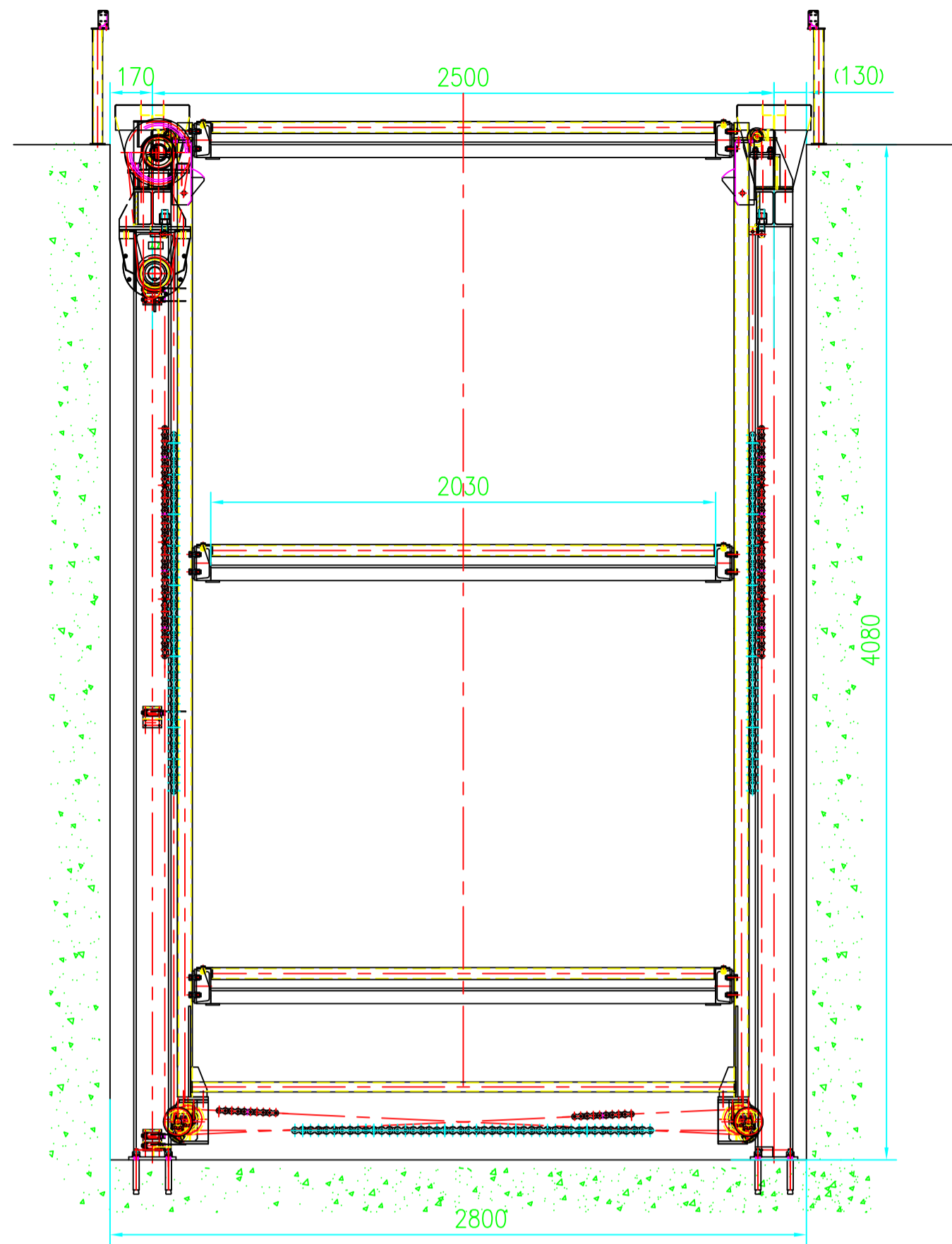
≤ 1550mm



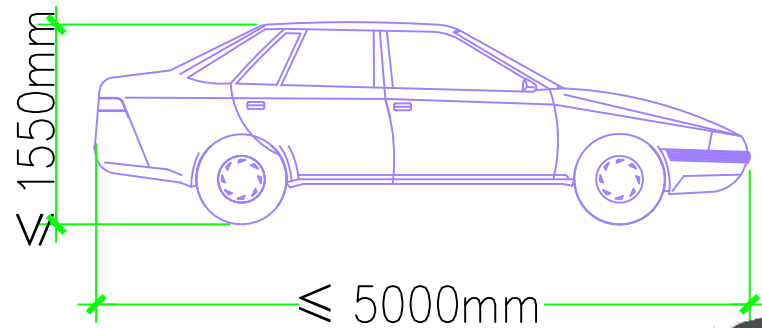
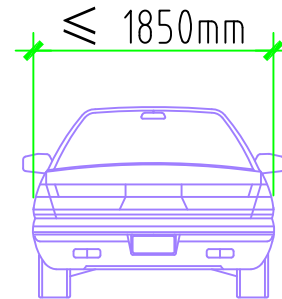
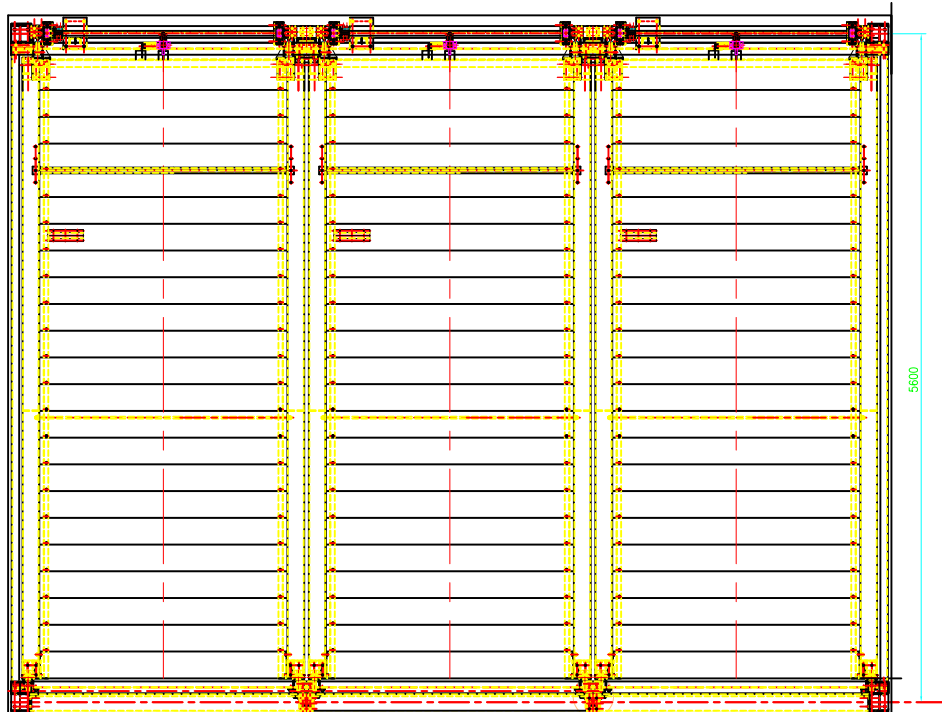
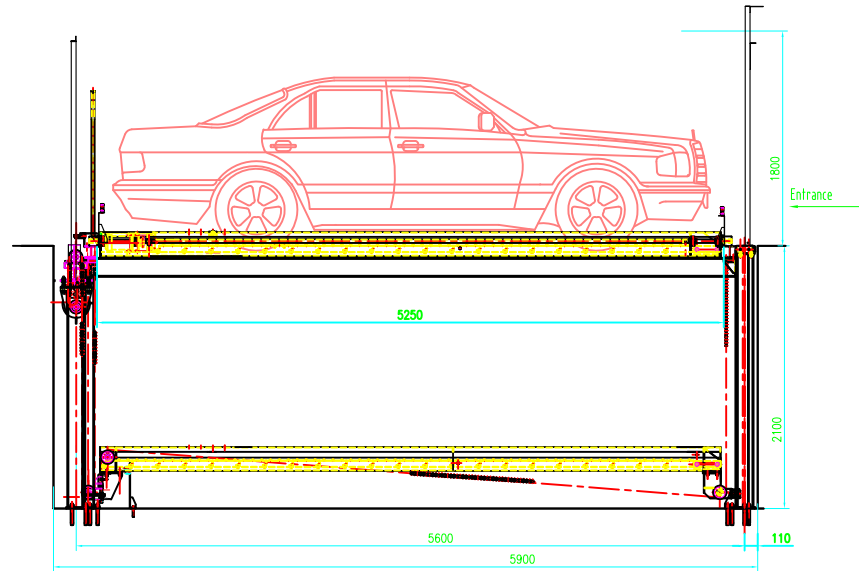
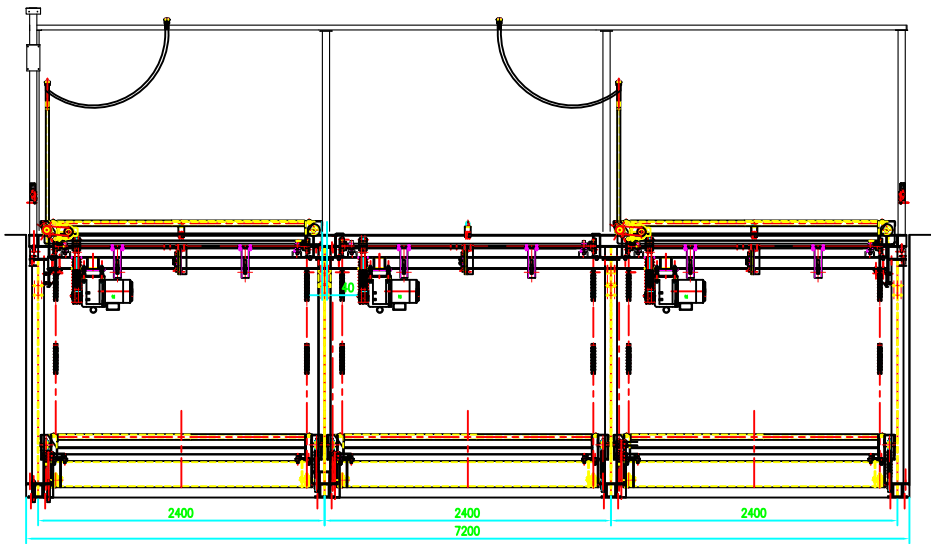
≥ 5000mm

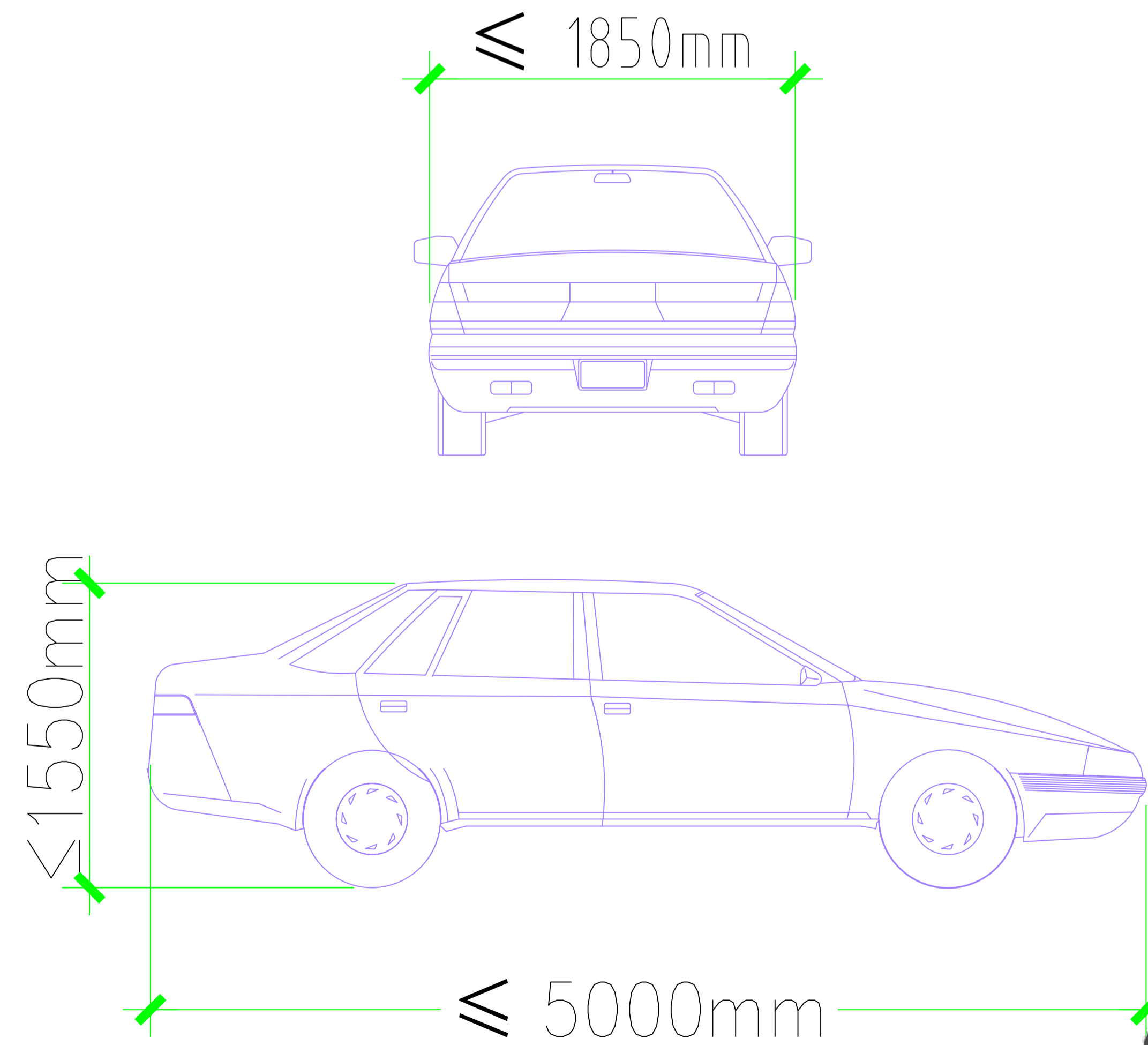
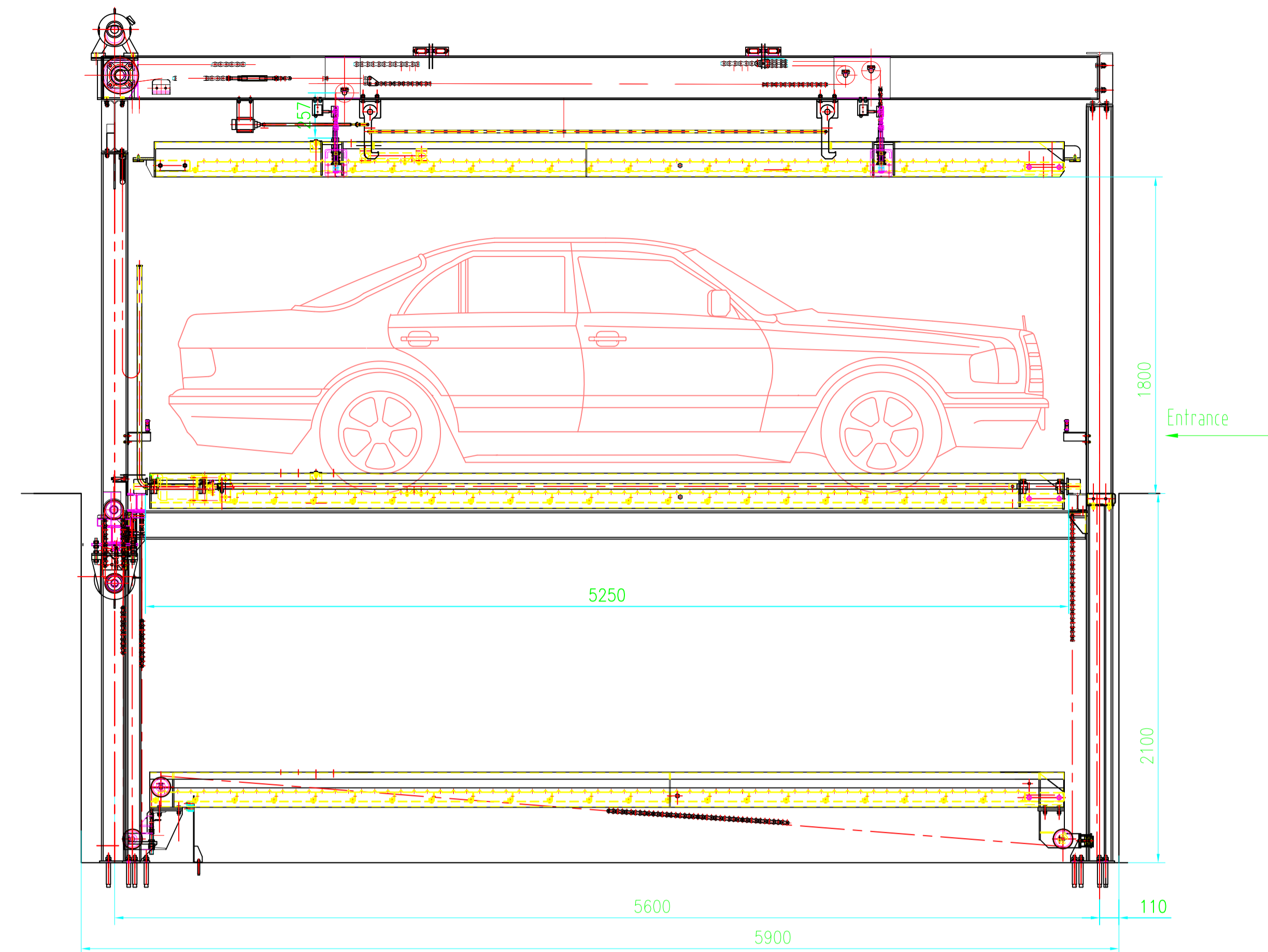
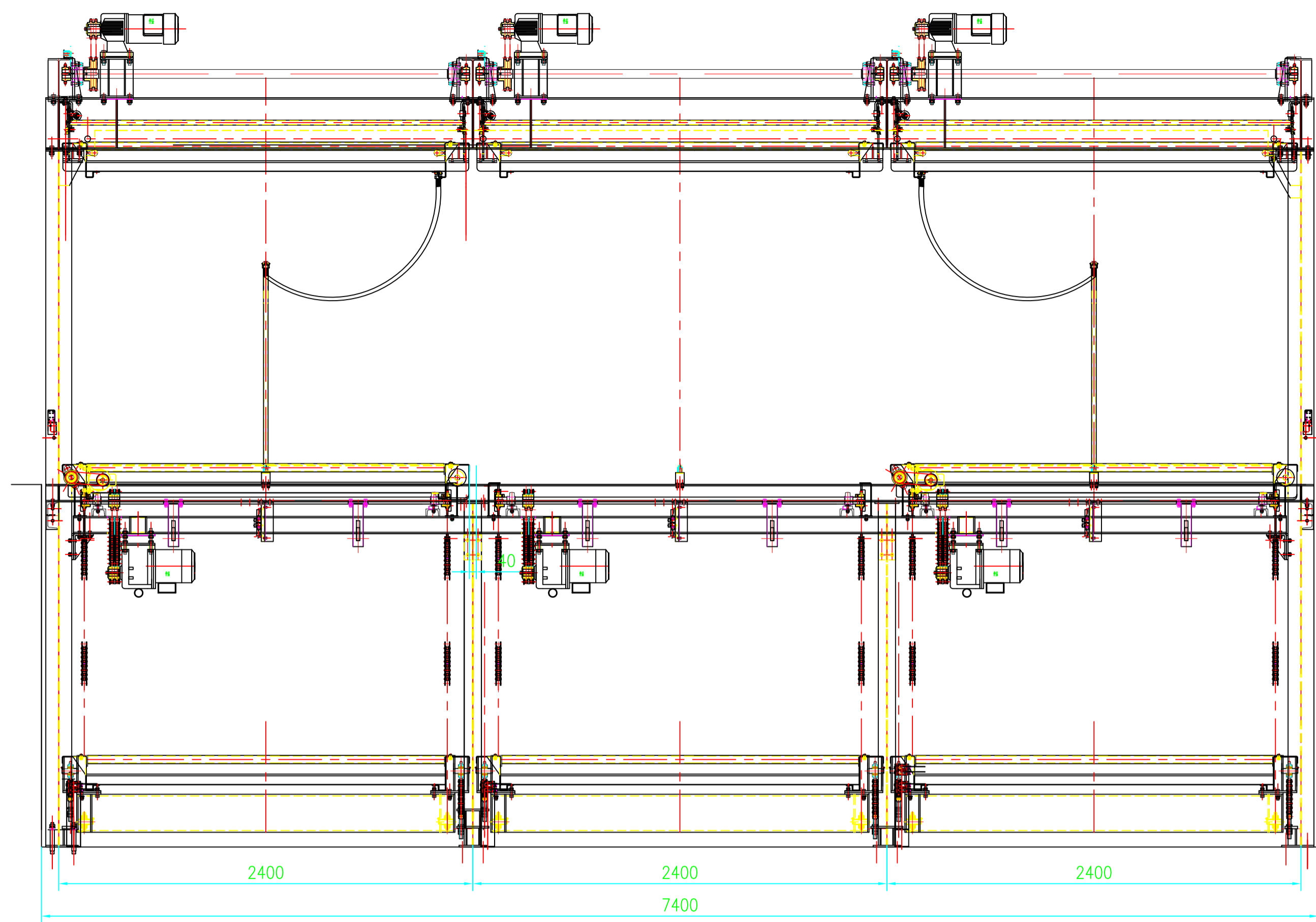


VERTICAL
PARKING
SYSTEMS

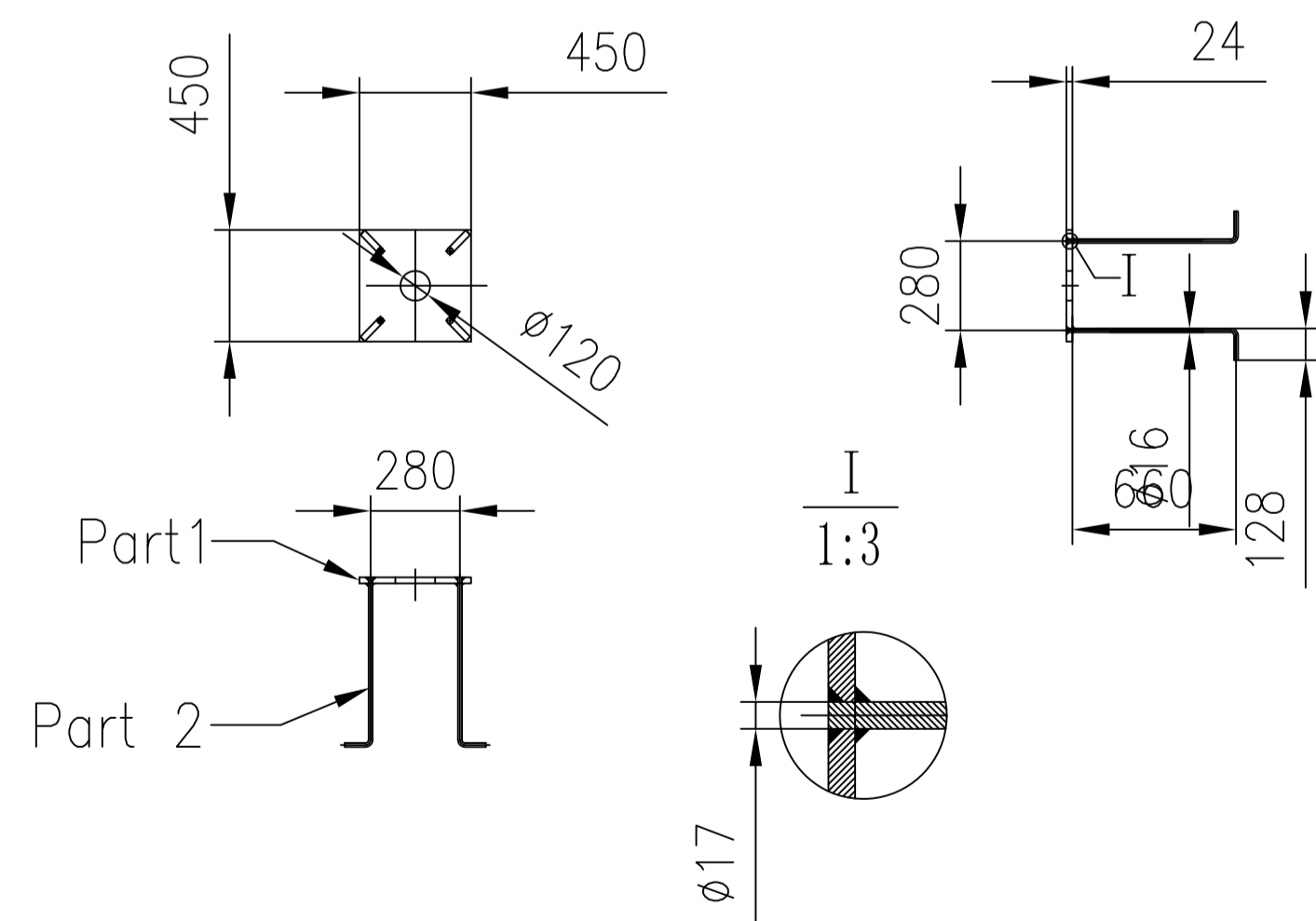
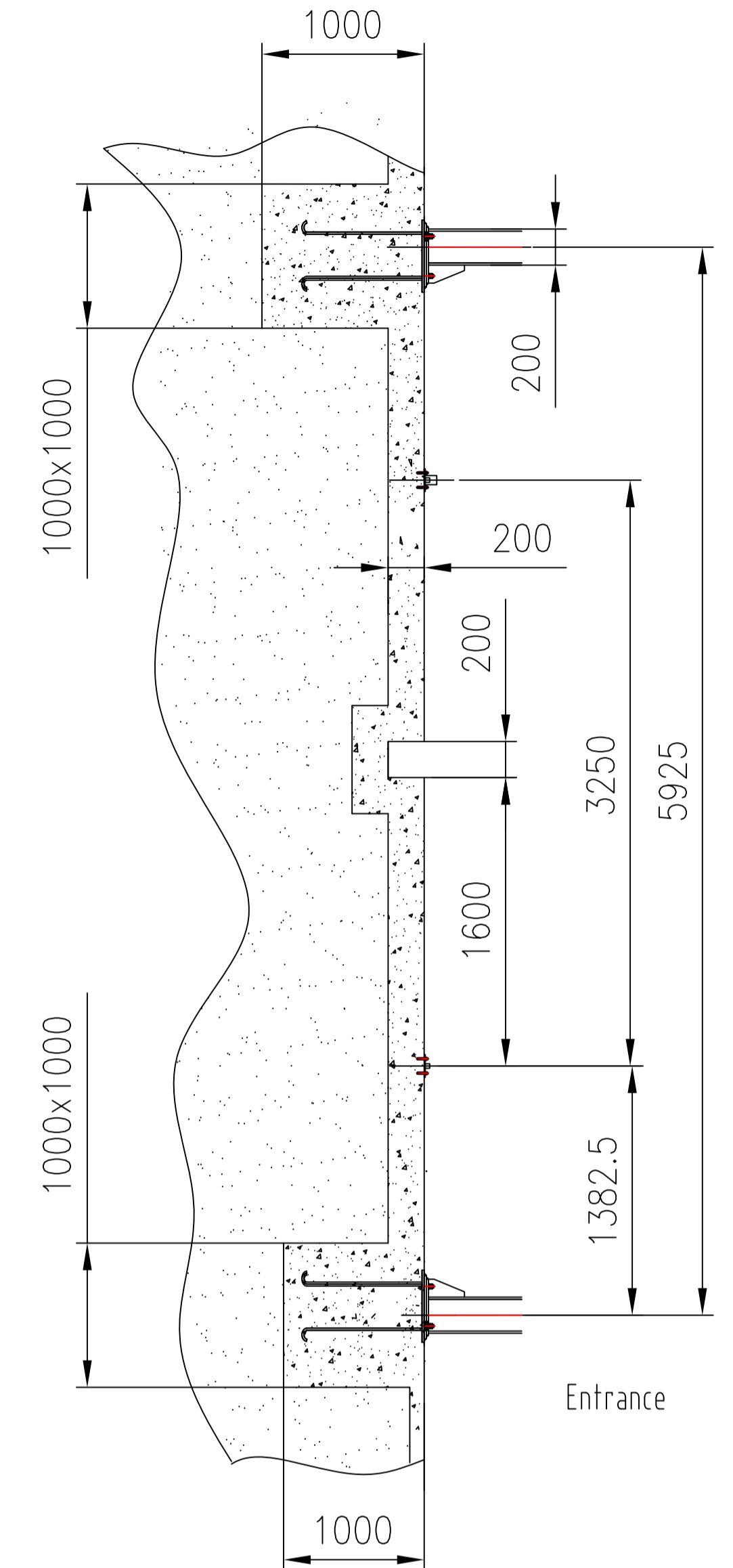
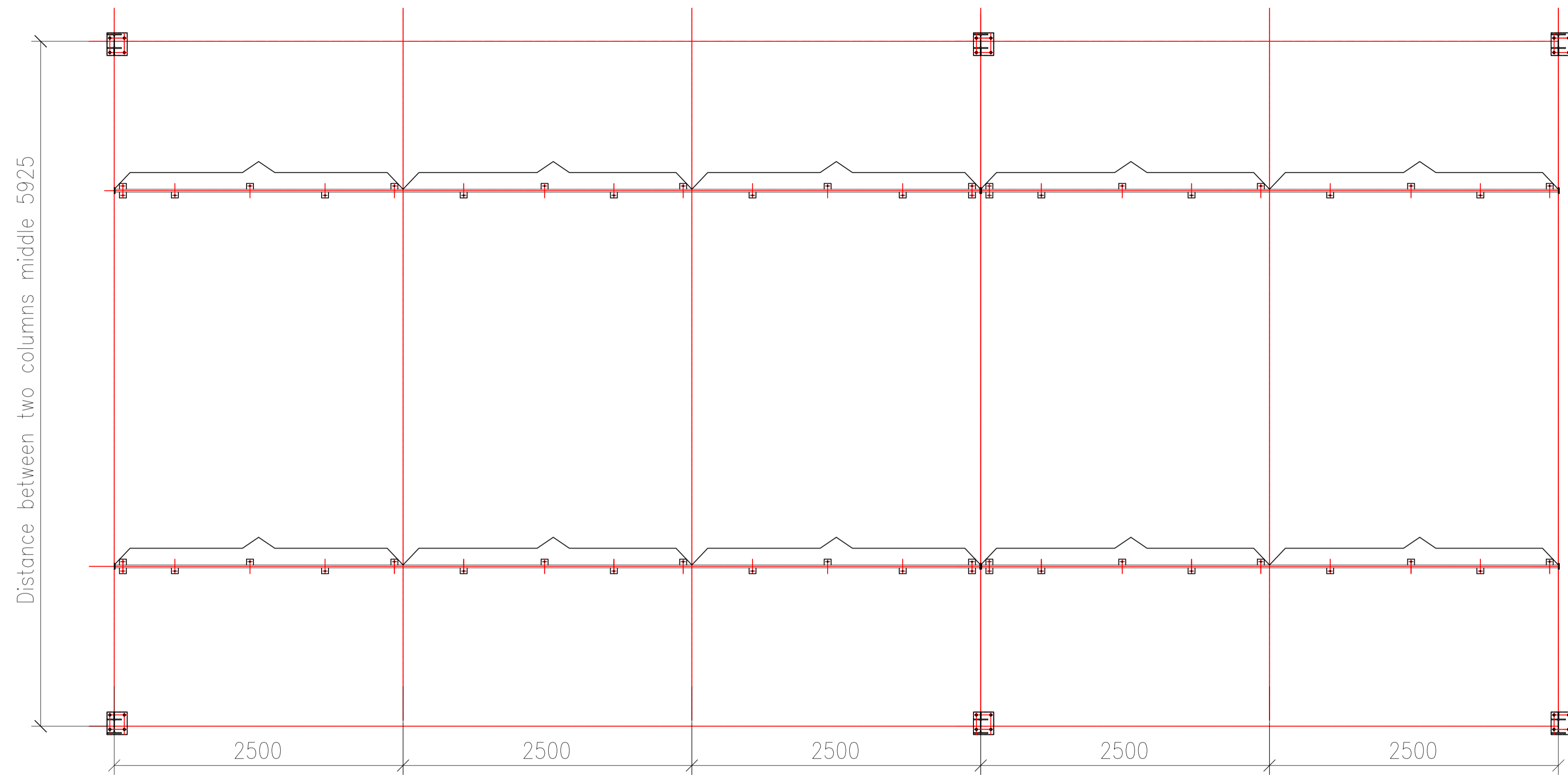


VERTICAL
PARKING
SYSTEMS





VERTICAL
PARKING
SYSTEMS



Embedded part

Notes and technical requirements:

- 1.Ensure the horizontal error of embedded parts be within the 10mm and vertical elevation error be within 5mm .
- 2.Ensure no ponding in the equipment area, it is recommended that the installation area floor is higher than the driveway and the surrounding floors.The final user design and establish drainage in accordance with the site condition.
- 3.The embedded parts and anchor hook need to be built by civil construction party,ram soil layer before place of concrete(more than C25)
- 4.The relative elevation rail top difference of two guide rails in the same cross section must be within 3mm,the error of two guide rails must be within 4mm.
- 5.The bottom of part 1 and part 2 must be ground smoothly after welding,welding seam height will be 4mm
- 6.Concrete thickness for column must be ≥ 900 mm,it can be deeper as the local soil condition.